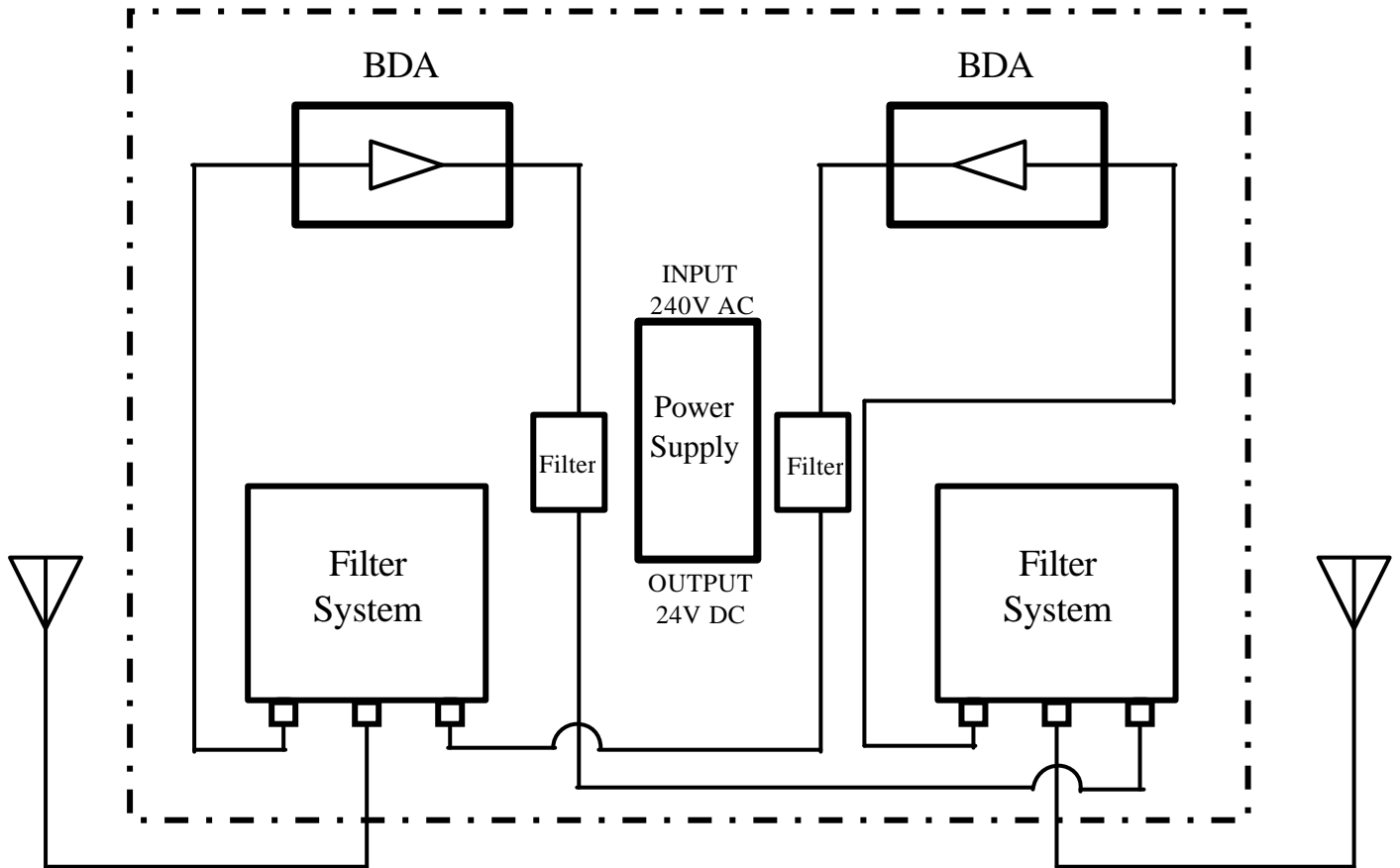


RPL Broadband Amplifier

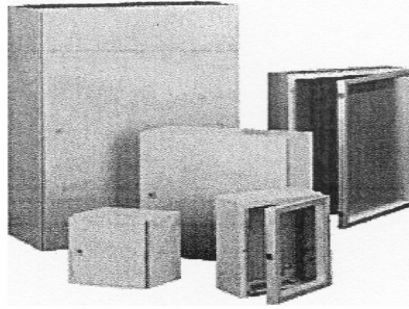


Amplifier Specifications.

Output Power @ 1Db Compression	1.2 Watts
Gain	40 Db
Noise Figure	5Db
Intercept IP3	50Db
Impedance	50ohms
Power Supply Required	24VDC , 0.4A
Connectors RF	"N" Female
EMC	Complies with AS/NZS 1053 2064 ACA C Tick N170

Wall-mounting enclosures EE series

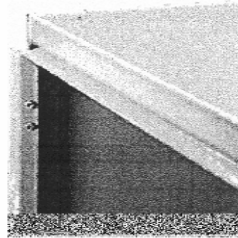
Super finish and robust quality are the features of enclosures in the Taunus EE range.



5 Widths, 7 heights and 3 depths provide 24 different types in the standard range.

The design of wall-mounting enclosures in the EE range meets the highest demands for stability and quality.

The rack unit has been formed from a single sheet of metal and is precisely seam-welded. The front frame has been designed as a gutter for protection against the ingress of water. Mounting holes to the outside prevent the formation of condensation.



Cable flange openings with sheet-steel flange plate are provided for top or bottom use. 4 Flange sizes are supplied depending on the size of the enclosure.

Cold-rolled sheet steel from 1.2 mm to 1.5 mm is used depending on the technical specification of the models.

Enclosed and easily dismountable hinges with an opening angle of approximately 130° ensure a perfect fit and seal for the top-fitting door. The reversible door (fitted with mounting strips) increases the benefit to users.

The seamless foam polyurethane seal provides IP 55 protection rating.

The temperature resistance of the material comprising the seal has a range from -20°C to +70°C.

Interchangeable locks are supplied as accessories.

The mounting panels fitted on the rear panel of the enclosure are provided with an additional bevel to ensure added stability where the edge is more than 800 mm long.